

Super Silt Fence Installation Guidelines

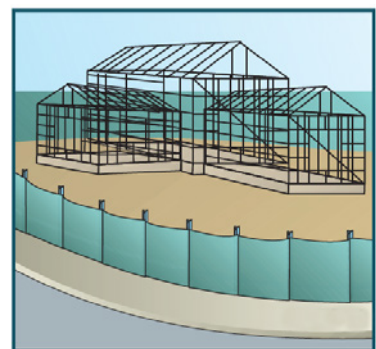
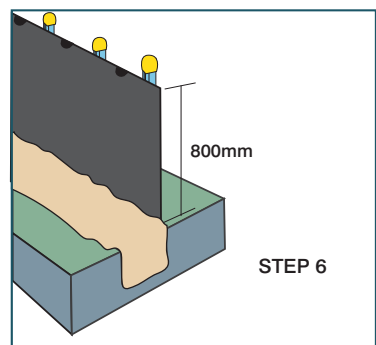
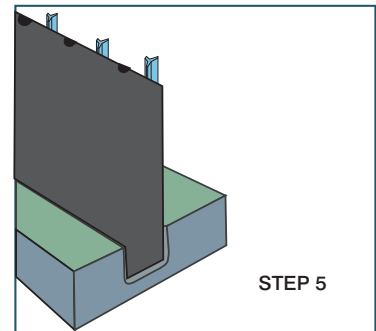
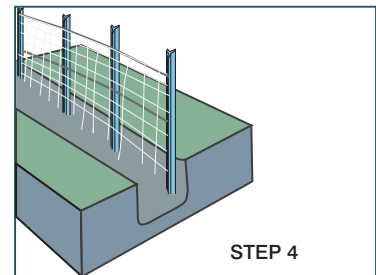
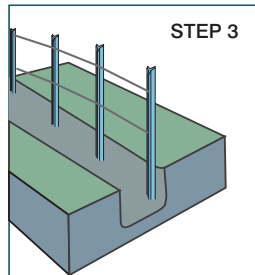
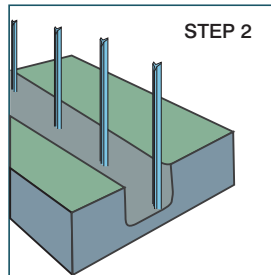
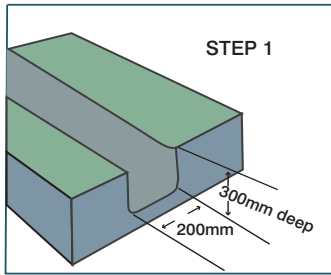
Sediment Control



QUALITY - SUPPORT - EXPERTISE



Super Silt Fence Installation Guidelines



Installation

- STEP 1** Excavate a trench a minimum of 200mm wide and 300mm deep on the uphill side of the proposed line of super silt fence.
- STEP 2** Drive a minimum of 1.8m long support posts to a depth (minimum 1000mm) appropriate for the site conditions downhill of the trench. Post spacing to be no greater than 3m centres.
- STEP 3** Install 2.5mm diameter high tensile wire at 400mm and 800mm heights above ground level.
- STEP 4** Roll out steel mesh fence ensuring the fence extends down to the base of the trench and attach to the fence posts with wire ties or hog rings.
- STEP 5** Roll out silt fence and secure up against the steel mesh fence with hog rings or ties spaced every 600mm along the top and mid-section of the silt fence.
- STEP 6** Bury the bottom section of the silt fence 200mm along the base and 300mm up the side of the trench leaving a minimum exposed height of 400mm for the uphill silt fence layer and 800mm for the second layer. Backfill with soil and compact to ensure good anchorage.

Maintenance

Regular inspection of silt fence is required especially after each rainfall event. Make any necessary repairs and remove excessive silt deposits to reduce pressure on the silt fence.

NEW ZEALAND

AUCKLAND
(64) 9 634 6495

HAMILTON
(64) 21 732 178

NAPIER
(64) 21 916 736

CHRISTCHURCH
(64) 3 349 5600

AUSTRALIA

MELBOURNE
(03) 8586 9111

SYDNEY
(02) 8785 8800

NEWCASTLE
(02) 4951 2688

COFFS HARBOUR
(02) 6653 5706

PERTH
(08) 6305 0561

ADELAIDE
(08) 8162 5855

HOBART
(03) 6273 0511

BRISBANE
(07) 3279 1588

TOWNSVILLE
(07) 4774 8222

BUNDABERG
(07) 4155 9968

GOLD COAST
(07) 5594 8600

DARWIN
0407 523 669

0800 60 60 20

(Freephone NZ only)

GEOFABRICS.CO.NZ
GEOFABRICS.COM.AU

Follow
Geofabrics on



GEOFABRICS®

The information contained in this brochure is general in nature. In particular the content of this brochure does not take account of specific conditions that may be present at your site. Site conditions may alter the performance and longevity of the product and in extreme cases may make the product wholly unsuitable. Actual dimensions and performance may vary. If your project requires accuracy to a certain specified tolerance level you must advise us before ordering the product from us. We can then advise whether the product will meet the required tolerances. Where provided, installation instructions cover installation of product in site conditions that are conducive to its use and optimum performance. If you have any doubts as to the installation instructions or their application to your site, please contact us for clarification before commencing installation. This brochure should not be used for construction purposes and in all cases we recommend that advice be obtained from a suitably qualified consulting engineer or industry specialist before proceeding with installation. This brochure is current as at the date printed below. Geofabrics New Zealand Ltd may make amendments to this document at any time. Please refer to our website, or contact our nearest sales office to ensure you have the most current version. © Copyright held by Geofabrics New Zealand Ltd. All rights are reserved and no part of this publication may be copied without prior permission.